

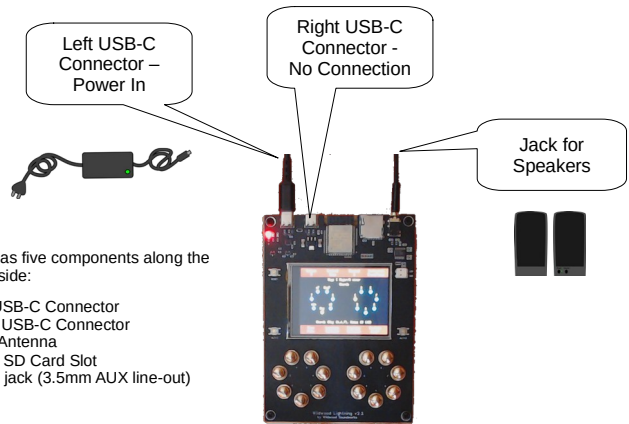
Wildwood Lightning v2.2 – Quick Start Guide

Please start with one of the following three configurations
(you can always try another one later)

1. Basic Configuration: To use Lightning as a standalone device, connect it to a standard 5V USB power adapter using the left USB-C connector and to amplified speakers using the audio jack.

Important: Be sure to use amplified speakers, or an amplifier, or a mixer with downstream amplifier because the LINE OUT jack is not designed to drive speakers directly.

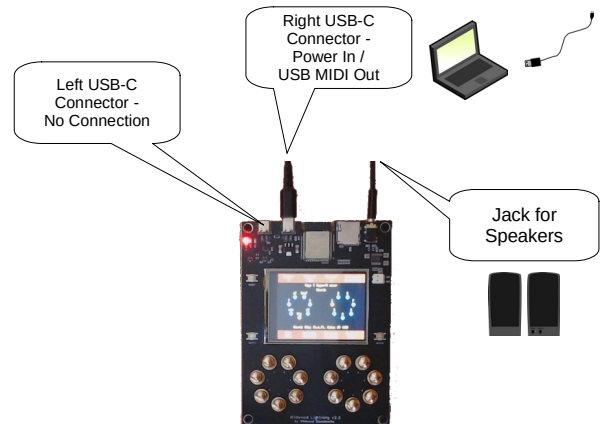
Lightning uses an innovative (patent pending) approach that lets you play notes across multiple octaves with just seven touch sensors.



2. USB MIDI Device Configuration: To use Lightning as a USB MIDI input device, connect it to a computer running MIDI or DAW software using the right USB-C connector.

You can also connect the audio jack to an amplifier or powered speakers if you want to hear the audio through both the computer running the MIDI or DAW software and Lightning.

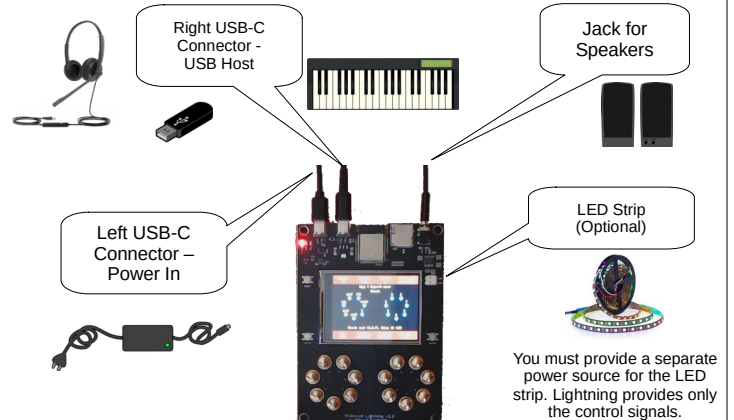
In this configuration, Lightning gets its power from the right USB-C connector, so make sure nothing is plugged into the left USB-C connector.



Important: Turn power off before changing configuration – Lightning configures itself at power-on

3. USB Host Configuration: To use Lightning with an external USB MIDI keyboard, flash drive or UAC1.0 audio device (headset, microphone, speakers or adapter):

- Connect a USB power source to the left USB-C connector.
- Connect a USB MIDI keyboard, flash drive or audio device to the right USB-C connector.
- Connect the audio jack to an amplifier or PC speakers.
- Optionally connect the data and ground signals from a WS2812B LED strip to the pins labeled LED and GND.



Problems with setup? Contact support@wildwoodsoundworks.com for help.

Ready to create some music? Visit wildwoodsoundworks.com for more information.