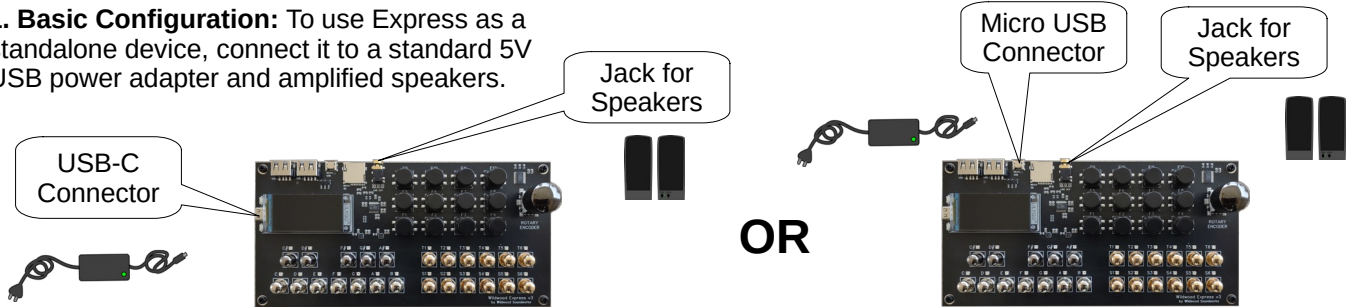


Wildwood Express v3 – Quick Start Guide

Please start with one of the following three configurations
(you can always try another one later)

1. Basic Configuration: To use Express as a standalone device, connect it to a standard 5V USB power adapter and amplified speakers.



You can connect the USB adapter to Express using **either** the USB-C connector near the display **or** the Micro USB near the top of the device.

Important: Be sure to use an amplifier or powered PC speakers because the LINE OUT jack is not designed to drive speakers directly.

2. USB MIDI Device Configuration: To use Express as a USB MIDI input device, connect it to a computer running MIDI or DAW software.



The computer will provide power to Express using the USB-C connector.

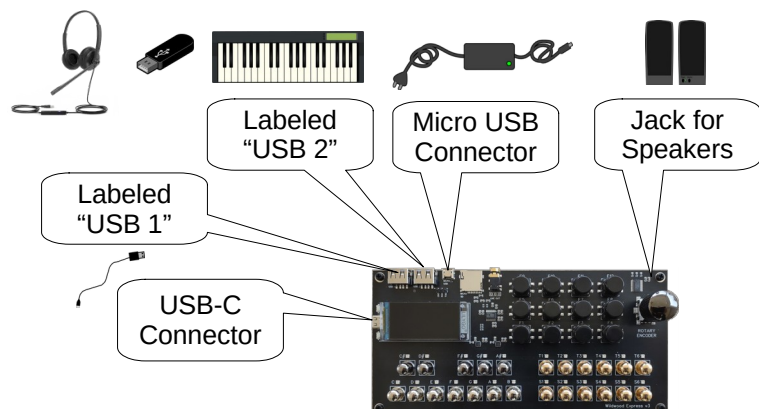
Express will detect that it is being powered by the USB-C connector and configure itself as a USB MIDI Device. On the computer running the MIDI or DAW software, look for a new MIDI device called Wildwood Soundworks Express.

You can optionally connect the LINE OUT jack to an amplifier or powered speakers if you want to hear the audio through both the computer running the MIDI or DAW software and Express.

Important: Turn power off before changing configuration – Express detects new configuration at power-on

3. USB Host Configuration: To use Express with an external USB MIDI keyboard, flash drive or audio device (headset, microphone, speakers or adapter):

- Connect a standard USB-C to Type A cable between the USB-C connector and the USB Type A connector labeled USB 1.
- Connect a USB MIDI keyboard or USB flash drive into the USB Type A connector labeled USB 2.
- Connect a standard 5V USB power adapter to the Micro USB connector.
- Connect the LINE OUT jack to an amplifier or PC speakers.



Problems with setup? Contact support@wildwoodsoundworks.com for help.

Ready to create some music? Visit www.wildwoodsoundworks.com for how-to videos.